

Description:

It's a LED glow stripes motorcycle kit designed to use in 12V electricity systems. The LEDs are driven by a central control unit, which ensures stable and safe current for the LEDs. It also protects the LEDs from short time overstrain, that occurs for example during engine start.

The package consists of:

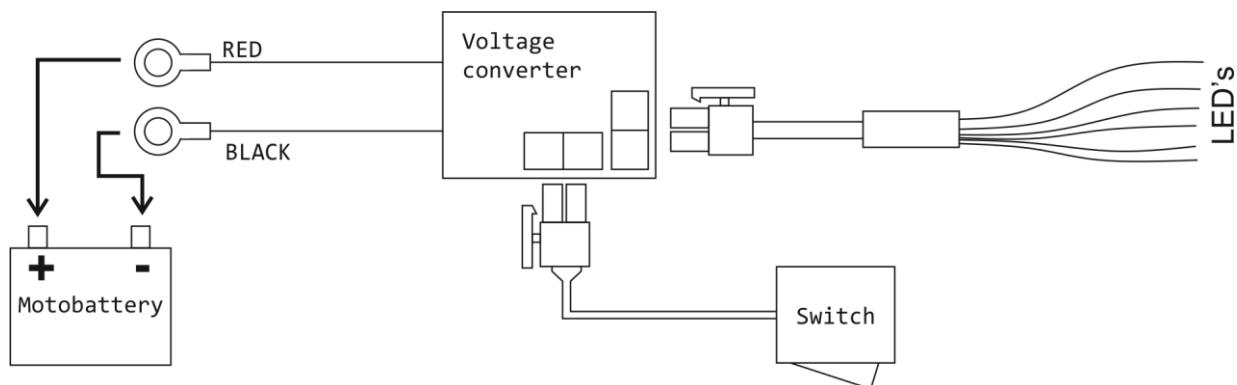
- 6 or 12 pcs of LED with 1,5m wires
- 1A fuse (polyswitch type)
- constant current control unit
- set of tightening belts
- set of adhesive pads for attaching the LEDs to the frame, or bodywork
- installing guide and user manual

Technical information:

Operating voltage:	11,5 - 14,4V.
Maximum output current for the LED:	380mA (12LED) or 200mA (6 LED)
Protected against:	circuit shortage overstrain (> 15V)
Energy consumption:	<6W (12 LED) or <3W (6 LED)

Installation:

The LEDs are fully waterproof, so you just attach them anywhere you want (except for areas like exhaust, where the temperature can exceed 90°C/194°F. Leave a safe area of couple of inches/few centimetres between hot areas and the LEDs) using the tightening stripes or the adhesive pads. Before using the adhesive pads, clean both sides of the place, where you want to put the pad with alcohol and let it dry out. The pads are waterproof and will hold the LEDs with no problem at all. Closely to every LED is a harder wire, which can be bent in order to point the LED to a wanted direction. Now just connect the main two wires to the battery and the installation is done.



Safety instructions:

- Don't modify or change anything in the device.
- Only connect to the right voltage value written higher above in the "Technical informations"
- Keep away from children.
- Do the installation properly, especially the electrical bit. Keep in mind that a badly connected device can damage this or any device on the motorcycle.

Trougleshooting:

- *The device isn't working, shows no signs of functioning:*
 - check for the right connection of the wires to the battery or if the battery is flat

- *Only some LEDs do not work:*
 - if this occurs, stop using the device, it can damage the remaining LEDs that work
 - check, if there isn't a damaged wire to some of the LEDs

- The warranty time is 2 years. In case of some warranty claims contact the manufacturer or the seller of the device.

*The device **isn't approved** for use on normal roads. It's only for tuning purposes outside the roads. Once throwing the device away, make sure you use your local centr for electro garbage collection. Throw the package cover into special assorted waste containers. Made in EU (Czech Republic).*

